

Installation Instructions

Wall Hung Fixture Carriers

Lavatory, Urinal, Water Cooler Carriers & Service Sinks

⚠ WARNING



Read Manual **BEFORE** using this equipment.

Failure to read and follow all safety and use information can result in death, serious personal injury, property damage, or damage to the equipment.

Keep this Manual for future reference.

⚠ WARNING

Local building or plumbing codes may require modifications to the information provided. You are required to consult the local building and plumbing codes prior to installation. If the information provided here is not consistent with local building or plumbing codes, the local codes should be followed. This product must be installed by a licensed contractor in accordance with local codes and ordinances.



NOTICE

Follow the guidelines listed here for proper installation, operation, and maintenance.

Wall Hung Fixture Carriers

General Note: Please consult all local plumbing codes before installing Watts Wall Hung Carriers.

Watts wall hung fixture carriers provide structural support for off-the-floor lavatories, urinals, water cooler, and service sinks. Floor mounted carriers work independently of the finished wall structure, and are generally specified in commercial applications. Wall mounted carriers attach to the structural wall, and are typically used with block wall construction, or in light duty or residential applications.

WATTS®

Lavatory Carriers

A carrier should be used for installation of all wall hung lavatories. Lavatories attached to the wall with only a fixture mounting bracket will eventually become unstable, causing damage to the wall, and creating a potentially hazardous condition.

Lavatories are commonly designed for installation with concealed arm carriers, whose supporting arms extend through cavities in the back of the fixture. A concealed arm carrier is entirely hidden by the lavatory and the wall, providing support without aesthetic degradation.

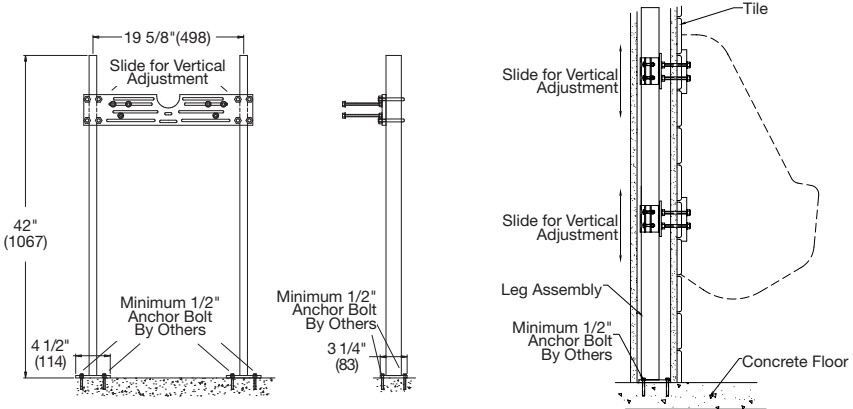
Exposed arm carriers are designed with L-shaped support brackets, which extend from the carrier, and bolt to the underside of the fixture.

Plate type carriers bolt directly to the fixture mounting bracket. As there is minimal cantilever strength, plate carriers provide somewhat less support than concealed or exposed arm carriers.

Urinal & Water Cooler Carriers

Urinal and water cooler carriers are commonly used in clinical applications, to support surgical scrub or flushing rim sinks. Similar in function to water closet carriers, service sink carriers provide structural support, and facilitate waste line connection.

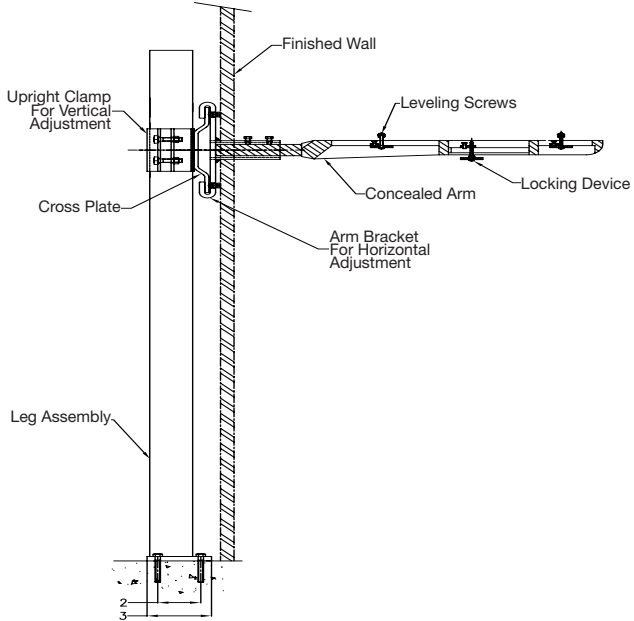
Typical Wall Hung Fixture Carrier Installations



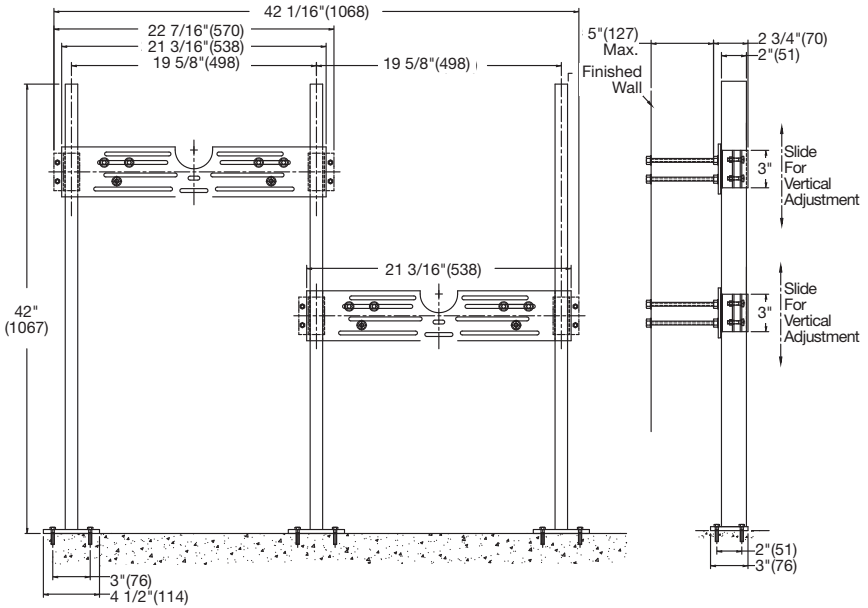
**CA-311
Urinal Carrier**

**CA-321
Urinal Carrier w/Bearing
Plate**

Typical Wall Hung Carrier Installations

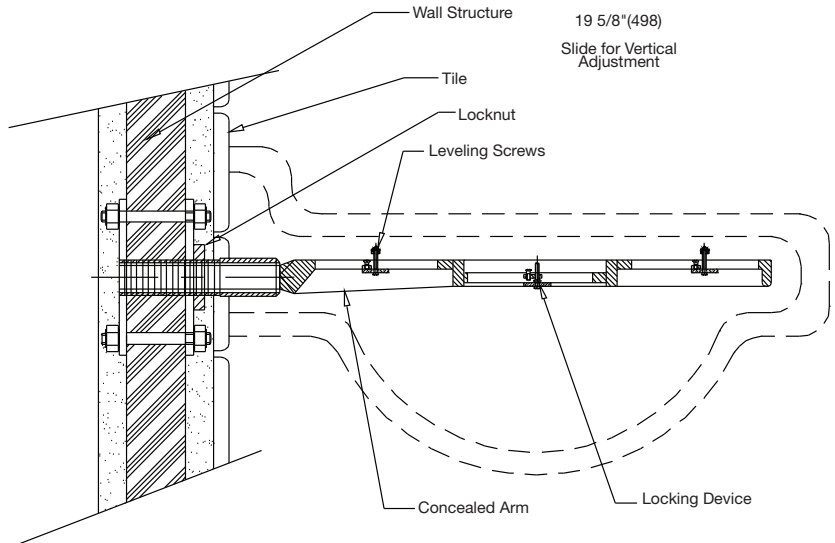


TCA-411 "Track" Concealed Arm Lavatory Carrier

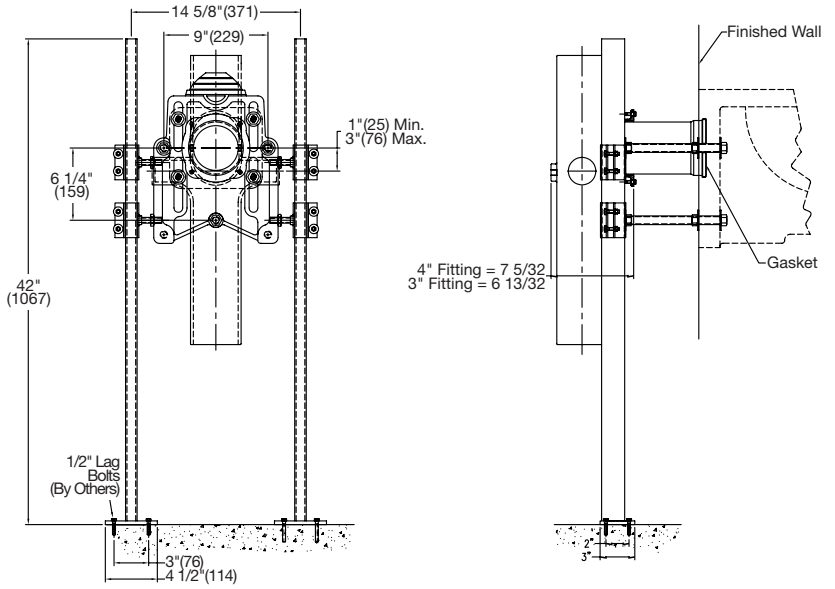


CA-431-1 Bi-Level Water Cooler

Typical Wall Hung Fixture Carrier Installations



CA-461 Wall Mounted Concealed Arm Carrier



ISCA-550-4-V4 Service Sink

Maintenance

Watts Wall hung fixture carriers should be checked periodically to ensure that bolts stay tight and there are no issues with the fixture that is mounted to the arms. Anchor bolts holding the legs steady should also be checked for any loose or stripped bolts.

WARNING

Need for Periodic Inspection/Maintenance: This product must be tested periodically in compliance with local codes, but at least once per year or more as service conditions warrant. All products must be retested once maintenance has been performed. Corrosive water conditions and/or unauthorized adjustments or repair could render the product ineffective for the service intended. Regular checking and cleaning of the product's internal and external components helps assure maximum life and proper product function.

NOTICE

Inquire with governing authorities for local installation requirements

Limited Warranty: Watts Regulator CO. (the "Company") warrants each product to be free from defects in material and workmanship under normal usage for a period of one year from the date of original shipment. In the event of such defects within the warranty period, the Company will, at its option, replace or recondition the product without charge.

THE WARRANTY SET FORTH HEREIN IS GIVEN EXPRESSLY AND IS THE ONLY WARRANTY GIVEN BY THE COMPANY WITH RESPECT TO THE PRODUCT. THE COMPANY MAKES NO OTHER WARRANTIES, EXPRESS OR IMPLIED. THE COMPANY HEREBY SPECIFICALLY DISCLAIMS ALL OTHER WARRANTIES, EXPRESS OR IMPLIED, INCLUDING BUT NOT LIMITED TO THE IMPLIED WARRANTIES OF MERCHANTABILITY AND FITNESS FOR A PARTICULAR PURPOSE.

The remedy described in the first paragraph of this warranty shall constitute the sole and exclusive remedy for breach of warranty, and the Company shall not be responsible for any incidental, special or consequential damages, including without limitation, lost profits or the cost of repairing or replacing other property which is damaged if this product does not work properly, other costs resulting from labor charges, delays, vandalism, negligence, fouling caused by foreign material, damage from adverse water conditions, chemical, or any other circumstances over which the Company has no control. This warranty shall be invalidated by any abuse, misuse, misapplication, improper installation or improper maintenance or alteration of the product.

Some States do not allow limitations on how long an implied warranty lasts, and some States do not allow the exclusion or limitation of incidental or consequential damages. Therefore the above limitations may not apply to you. This Limited Warranty gives you specific legal rights, and you may have other rights that vary from State to State. You should consult applicable state laws to determine your rights. **SO FAR AS IS CONSISTENT WITH APPLICABLE STATE LAW, ANY IMPLIED WARRANTIES THAT MAY NOT BE DISCLAIMED, INCLUDING THE IMPLIED WARRANTIES OF MERCHANTABILITY AND FITNESS FOR A PARTICULAR PURPOSE, ARE LIMITED IN DURATION TO ONE YEAR FROM THE DATE OF ORIGINAL SHIPMENT.**



USA: Tel: (800) 338-2581 • Fax: (828) 248-3929 • Watts.com

Canada: Tel: (888) 208-8927 • Fax: (888) 479-2887 • Watts.ca

Latin America: Tel: (52) 55-4122-0138 • Watts.com